



Solid State Devices, Inc.

14830 Valley View Blvd * La Mirada, Ca 90638
 Phone: (562) 404-7855 * Fax: (562) 404-1773
 ssdi@ssdi-power.com * www.ssdi-power.com

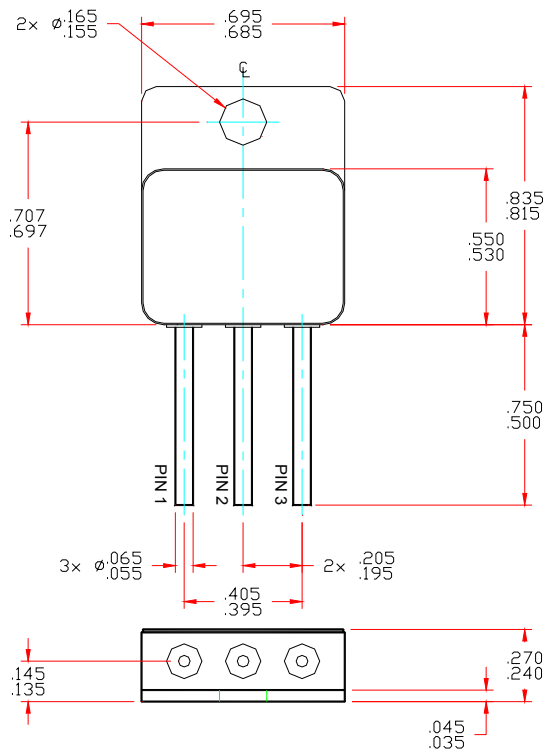
SDR6006HF Series

Electrical Characteristic		Symbol	Min	Max	Units
Instantaneous Forward Voltage Drop ($T_A = 25^\circ\text{C}$, 300 – 500 μsec Pulse)	$I_F = 20\text{ A}$	V_{F1}		1.25	V_{DC}
	$I_F = 40\text{ A}$	V_{F2}	—	1.40	
	$I_F = 60\text{ A}$	V_{F3}		1.55	
Instantaneous Forward Voltage Drop ($I_F = 40\text{ A}$, 300 – 500 μsec Pulse)	$T_A = -55^\circ\text{C}$	V_{F3}	—	1.50	V_{DC}
	$T_A = 100^\circ\text{C}$	V_{F4}		1.35	
Reverse Leakage Current (100% of rated V_R , 300 μs pulse min.)	$T_A = 25^\circ\text{C}$	I_{R1}	—	100	μA
	$T_A = 100^\circ\text{C}$	I_{R2}	—	10,000	μA
Reverse Recovery Time ($I_F = 0.5\text{ A}$, $I_R = 1\text{ A}$, $I_{RR} = 0.25\text{ A}$, $T_A = 25^\circ\text{C}$)		t_{RR}	—	35	nsec
Junction Capacitance ($V_R = 10V_{DC}$, $T_A = 25^\circ\text{C}$, $f = 1\text{ MHz}$)		C_J	—	150	pF

NOTES:
 1/ For Ordering Information, Price, and Availability Contact Factory.

Available Part Numbers: SDR6004HFN, SDR6004HFP SDR6005HFN, SDR6005HFP SDR6006HFN, SDR6006HFP	PIN ASSIGNMENT			
	PACKAGE	Pin 1	Pin 2	Pin 3
	TO-258 (N)	Cathode	Anode	Anode
	TO-259 (P)	Cathode	Anode	Anode

TO-258:



TO-259:

